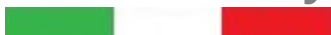




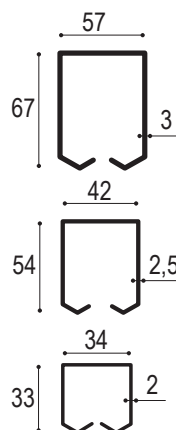
ACCESSORI PER PORTONI SCORREVOLI
ACCESSORIES FOR SLIDING DOORS

Made in Italy



Monorotaie zincate per portoni scorrevoli

Galvanized monorails for sliding doors



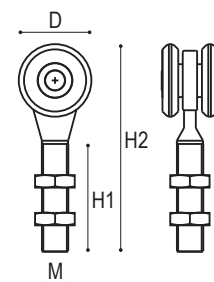
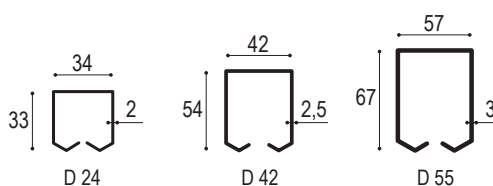
Cod.	L m	Ø Ruote carrelli Ø Roller wheels
723.24	3	55
726.24	6	55
723,42	3	42
726,42	6	42
723,55	3	24
726,55	6	24

Carrelli per portoni scorrevoli

Rollers for sliding doors

Carrelli scorrevoli a bagno di sfere

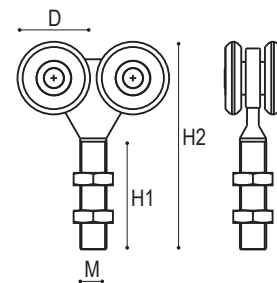
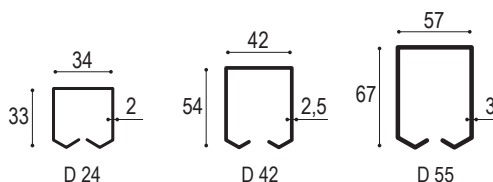
Sliding rollers with ball bearings



Cod.	n° Ruote Wheels	D	M	H1	H2	Portata kg Capacity kg	◆
701.24	2	24	M8	30	60	50	200
701,42	2	42	M12	60	116	150	50
701,55	2	55	M20	80	150	250	25

Versione con ruote in nylon
Nylon wheels version

Cod.	n° Ruote Wheels	D	M	H1	H2	Portata kg Capacity kg	◆
701.24N	2	24	M8	30	60	35	100



Cod.	n° Ruote Wheels	D	M	H1	H2	Portata kg Capacity kg	◆
702.24	4	24	M8	30	60	75	100
702,42	4	42	M12	60	116	300	30
702,55	4	55	M20	80	150	400	12

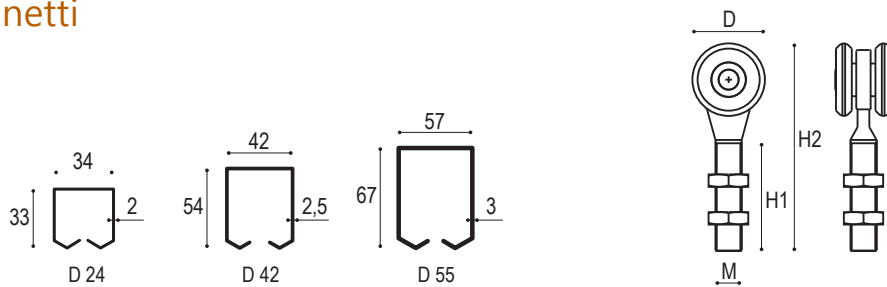
Versione con ruote in nylon
Nylon wheels version

Cod.	n° Ruote Wheels	D	M	H1	H2	Portata kg Capacity kg	◆
702,24N	4	24	M8	30	60	60	50



Carrelli scorrevoli con cuscinetti

Sliding rollers with bearings



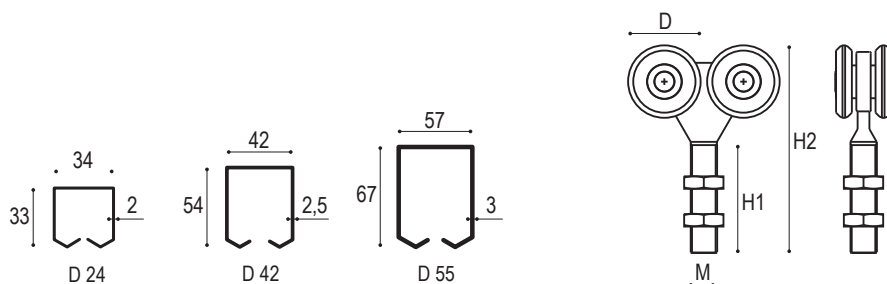
Cod.	n° Ruote Wheels	D	M	H1	H2	Portata kg Capacity kg	
705,42	2	42	M12	60	116	200	12
705,55	2	55	M20	80	130	400	8

Versione con cuscinetti per alte temperature (max 300° C) – **Su richiesta specifica**
Version with high temperature bearings (max 300° C) – **On specific request**

Cod.	n° Ruote Wheels	D	M	H1	H2	Portata kg Capacity kg	
705,42CF	2	42	M12	60	116	200	12
705,55CF	2	55	M20	80	130	400	8

Versione con ruote in nylon - Nylon rollers version

Cod.	n° Ruote Wheels	D	M	H1	H2	Portata kg Capacity kg	
705,42N	2	42	M12	60	116	100	10



Cod.	n° Ruote Wheels	D	M	H1	H2	Portata kg Capacity kg	
706,42	4	42	M12	60	116	300	8
706,55	4	55	M20	80	130	600	6

Versione con cuscinetti per alte temperature (max 300° C) – **Su richiesta specifica**
Version with high temperature bearings (max 300° C) – **On specific request**

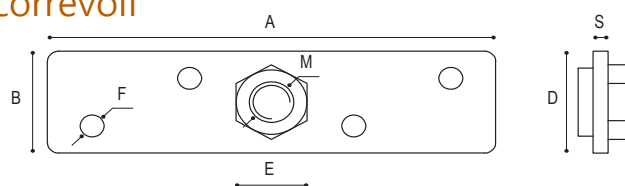
Cod.	n° Ruote Wheels	D	M	H1	H2	Portata kg Capacity kg	
706,42CF	4	42	M12	60	116	300	8
706,55CF	4	55	M20	80	130	600	6

Versione con ruote in nylon - Nylon wheels version

Cod.	n° Ruote Wheels	D	M	H1	H2	Portata kg Capacity kg	
706,42N	4	42	M12	60	116	180	10

Piastrina regolabile per sostegno carrelli scorrevoli

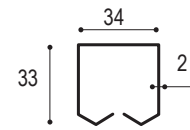
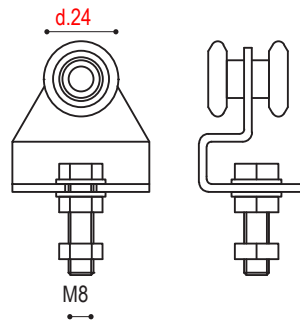
Adjustable support plate for sliding rollers



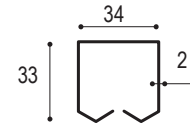
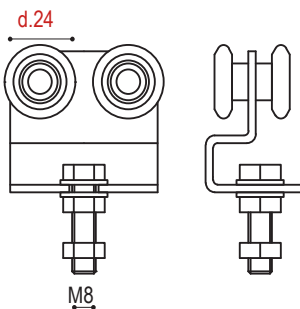
Cod.	M	A	B	S	E	F	D	
713M8	8	100	30	4	19	6,5	20	20
713M12	12	120	30	4	19	6,5	20	10
713M20	20	150	40	4	32	8,5	36	6

Carrelli scorrevoli a bagno di sfere con supporto

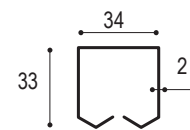
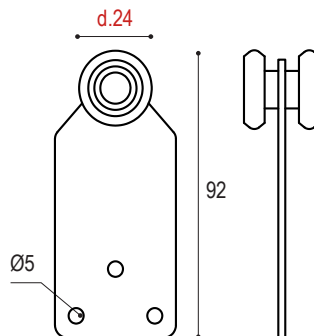
Sliding rollers with steel balls and support



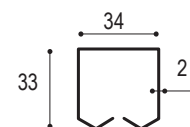
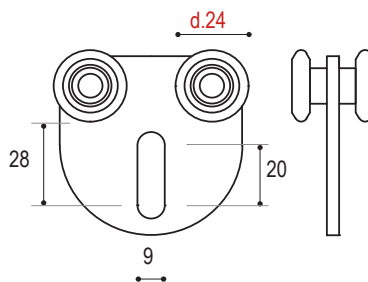
Cod.	n° Ruote Wheels	Portata kg Capacity kg	
703,24	2	50	20
703,24N	2	30	20



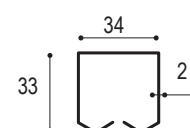
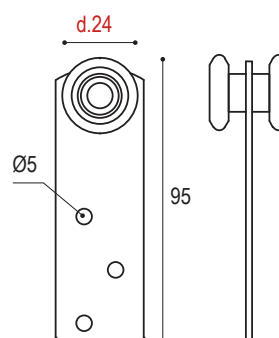
Cod.	n° Ruote Wheels	Portata kg Capacity kg	
704,24	4	75	20
704,24N	4	50	20



Cod.	n° Ruote Wheels	Portata kg Capacity kg	
706,24	2	50	20
706,24N	2	40	20



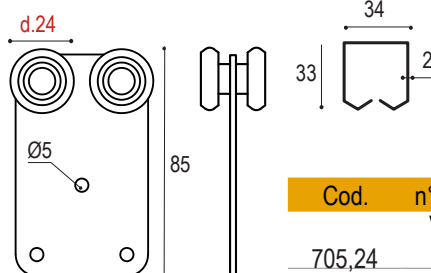
Cod.	n° Ruote Wheels	Portata kg Capacity kg	
707,24	4	80	20
707,24N	4	60	20



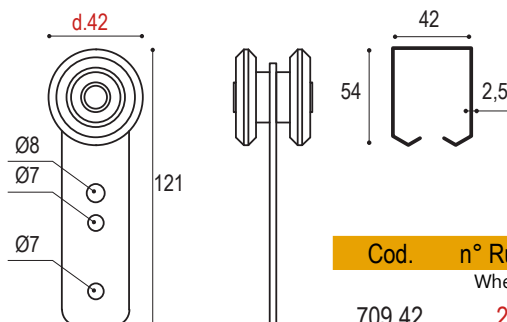
Cod.	n° Ruote Wheels	Portata kg Capacity kg	
708,24	2	50	20
708,24N	2	40	20

Carrelli scorrevoli a bagno di sfere con supporto

Sliding rollers with steel balls and support



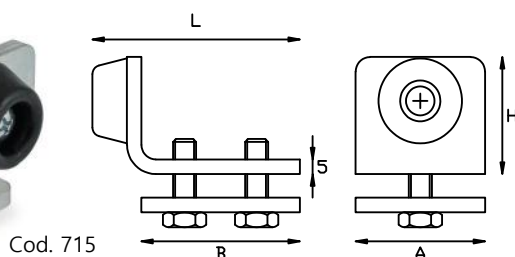
Cod.	n° Ruote Wheels	Portata kg Capacity kg	
705,24	4	80	12



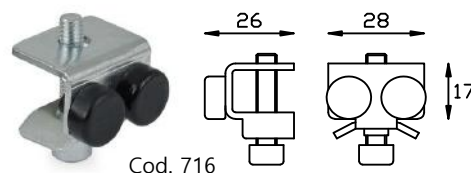
Cod.	n° Ruote Wheels	Portata kg Capacity kg	
709,42	2	120	12

Arresti di fine corsa per carrelli scorrevoli

End stops for sliding rollers



Cod. 715

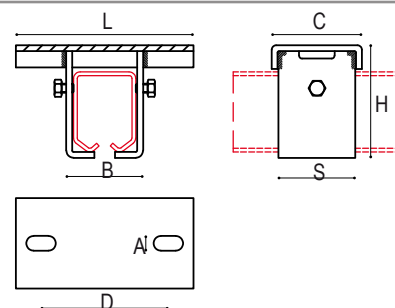


Cod. 716

Cod.	A	B	L	H	
715P	25	28	55	25	10
715G	45	55	70	40	10
716	28	-	26	-	10

Supporti a soffitto per monorotaie

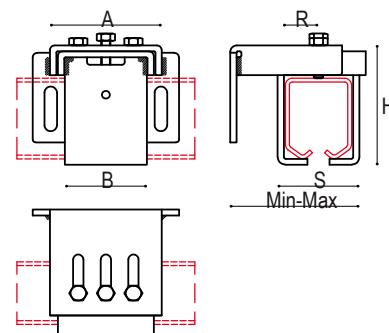
Ceiling support for monorails



Cod.	Ref. cod. □	A	B	C	D	H	L	S	
720.24	985	10	42	55	76	55	110	48	10
720.42	983	10	52	61	86	76	120	52	10
720.55	981	10	68	65	102	92	136	56	10

Supporti a parete per monorotaie

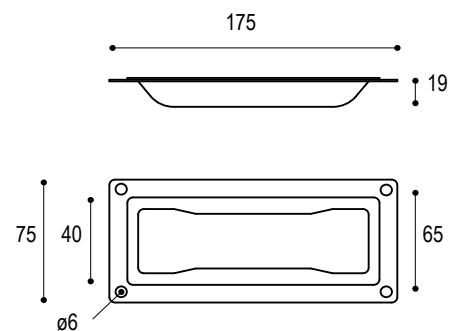
Wall supports for monorails



Cod.	Ref. cod. □	A	B	Min-Max	R	H	S	
721.24	985	83	48	52÷70	18	58	42	10
721.42	983	93	52	60÷82	22	80	52	10
721.55	981	97	56	71÷93	22	96	68	10

Maniglie ad incasso per portoni

Door handles to be embedded



Cod.	Descrizione	
Description		
810P	Con fori - With holes	12

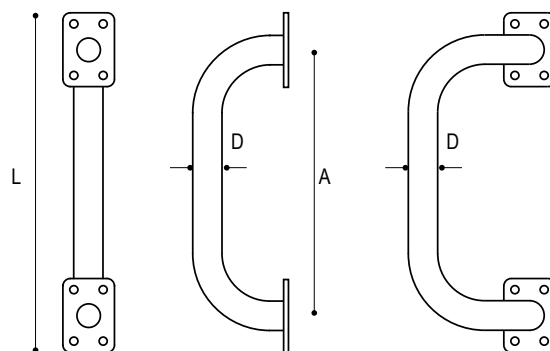
Maniglioni per portoni scorrevoli

Tubular big handles



Cod. 822

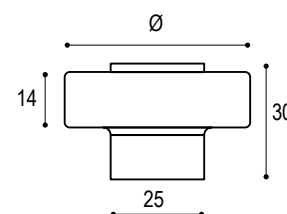
Cod. 823



Cod.	A	L	D	
822/180	180	230	20	20
822/280	280	345	28	10
823/180	180	230	20	10
823/280	280	345	28	8

Rulli guida in acciaio a saldare

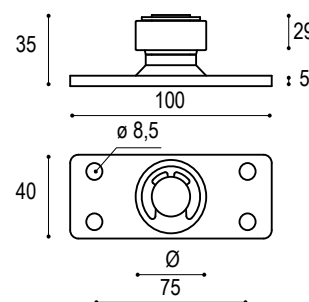
Steel guide rollers to be welded



Cod.	Ø	
159	35	24
160	42	20
161	52	12

Rulli guida in nylon con piastrina

Nylon guide rollers with joint plate



Cod.	Ø	
1590	35	12
1600	42	12
1610	52	12

www.concret.it